

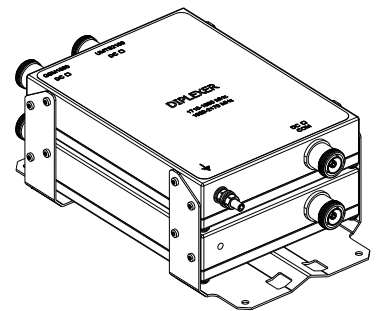
- Used for feeder combining (near BTS) or feeder splitting (near antenna)
- DC by-pass between COM and 2100 ports
- Built-in lightning protection on all ports
- Wall or pole mounting
- Can be mounted in any orientation
- Rejection in 2.4-2.9 GHz region

DPX-201 DPX-203

Diplexer
1800 / 2100
single & dual unit

Variants: **DPX-201:** single unit
DPX-203: dual unit

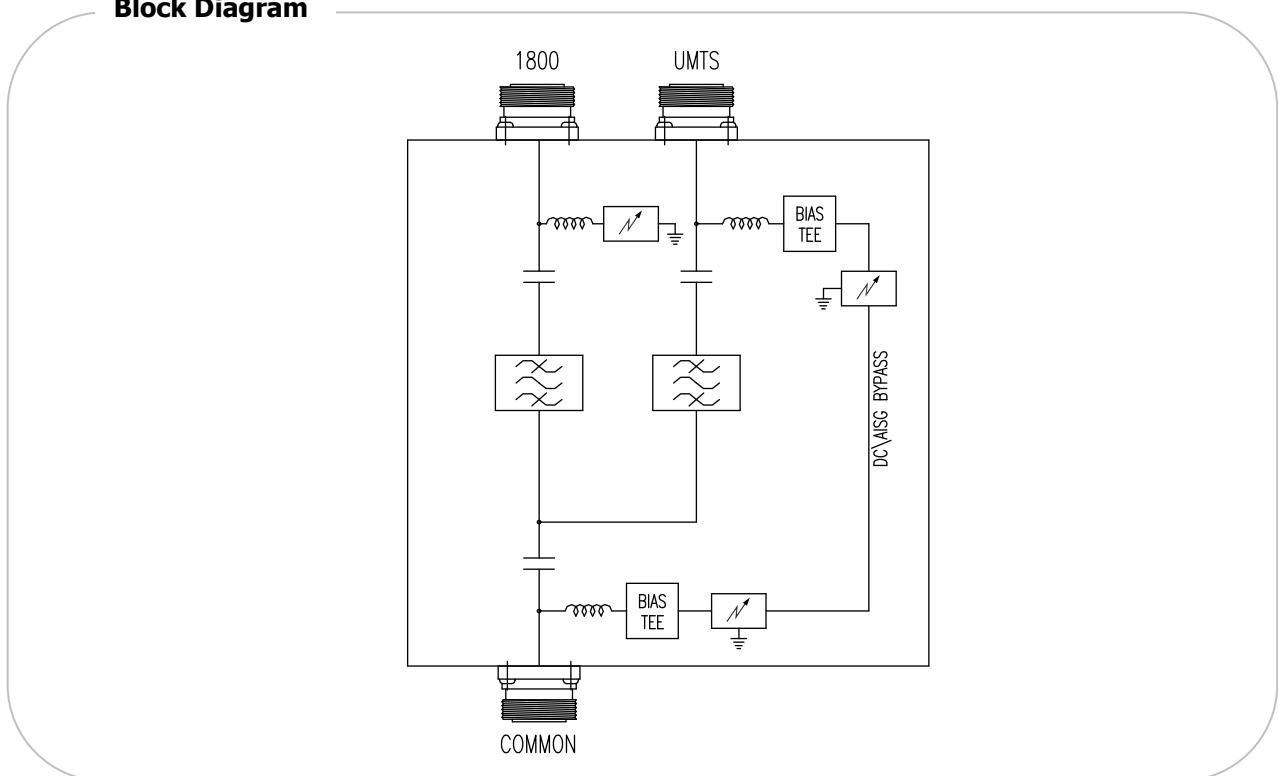
Electrical Specifications	
1800 Channel	
Passband	1710 - 1880 MHz
Insertion Loss	0.20 dB typ. (0.3 dB max)
Common Port Return Loss	18.0 dB min
Channel Port Return Loss	18.0 dB min
Attenuation from COM port to channel port:	
800 - 960 MHz	75 dB min
1920 - 1980 MHz	50dB min
2110 - 2170 MHz	65 dB min
2400 - 2700 MHz	65 dB min
2700 - 2900 MHz	75 dB min
2100 Channel	
Passband	1920 - 2170 MHz
Insertion Loss	0.20 dB typ. (0.3 dB max)
Common Port Return Loss	18.0 dB min
Channel Port Return Loss	18.0 dB min
Group Delay Variation (any 5 MHz)	5 ns max
Attenuation from COM port to channel port:	
800 - 960 MHz	75 dB min
1710 - 1880 MHz	50 dB min
2400 - 2700 MHz	45 dB min
2700 - 2900 MHz	75 dB min
Other Characteristics	
Nominal impedance	50 ohms
Power Ratings:	
1800 channel	250 W avg, 1000W peak max
2100 channel	100 W avg, 1000W peak max
Intermodulation products 800/900, 1800, UMTS	< -155 dBc (2x 20W, 3 rd order)
DC/AISG path	Common port to UMTS2100 port
AISG & 3GPP modulation compatible	Yes
Max DC current	2.5 A
Environmental	
Maximum Operating Temperature Range	-40 to +60 °C
Environmental rating	Outdoor, IP67
Lightning Protection, RF & AISG ports	3 kA, 10/350µs pulse (IEC 61312) all ports
RoHS compliant	Yes
MTBF	>700,000 hours



**DPX-201
DPX-203**

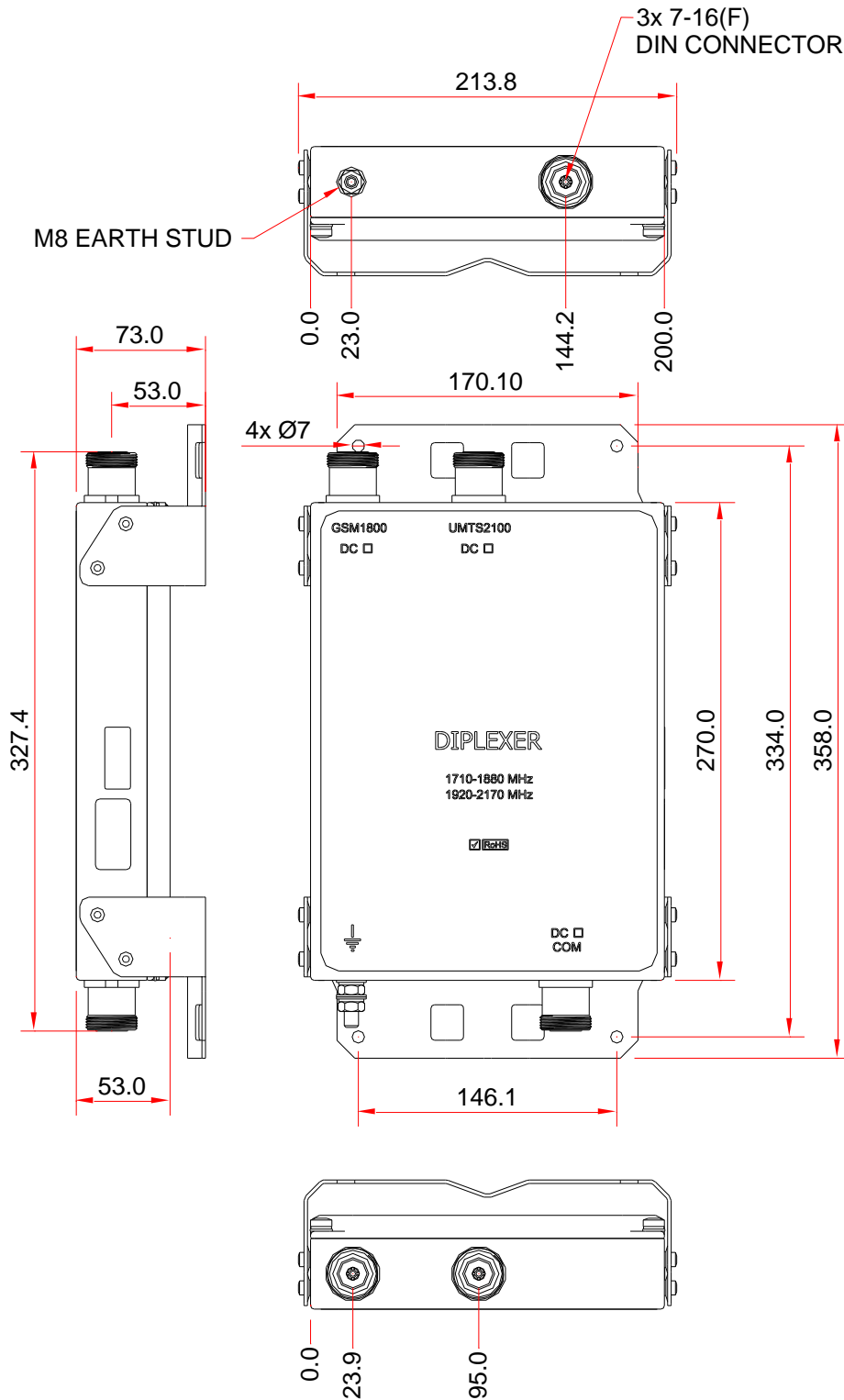
Mechanical	
Dimensions (excluding connectors and mounting bracket)	270 (H) x 200 (W) x 55 (D) mm see single and dual unit diagrams
Weight	4,8 kg, single unit
Finish	Painted, light grey (RAL7035)
Connectors	DIN 7-16 (F) x 3 "Long Neck", single unit
Mounting	Any orientation, pole / wall bracket included with two metal clamps for 45-178 mm diameter poles.

Block Diagram



**DPX-201
DPX-203**

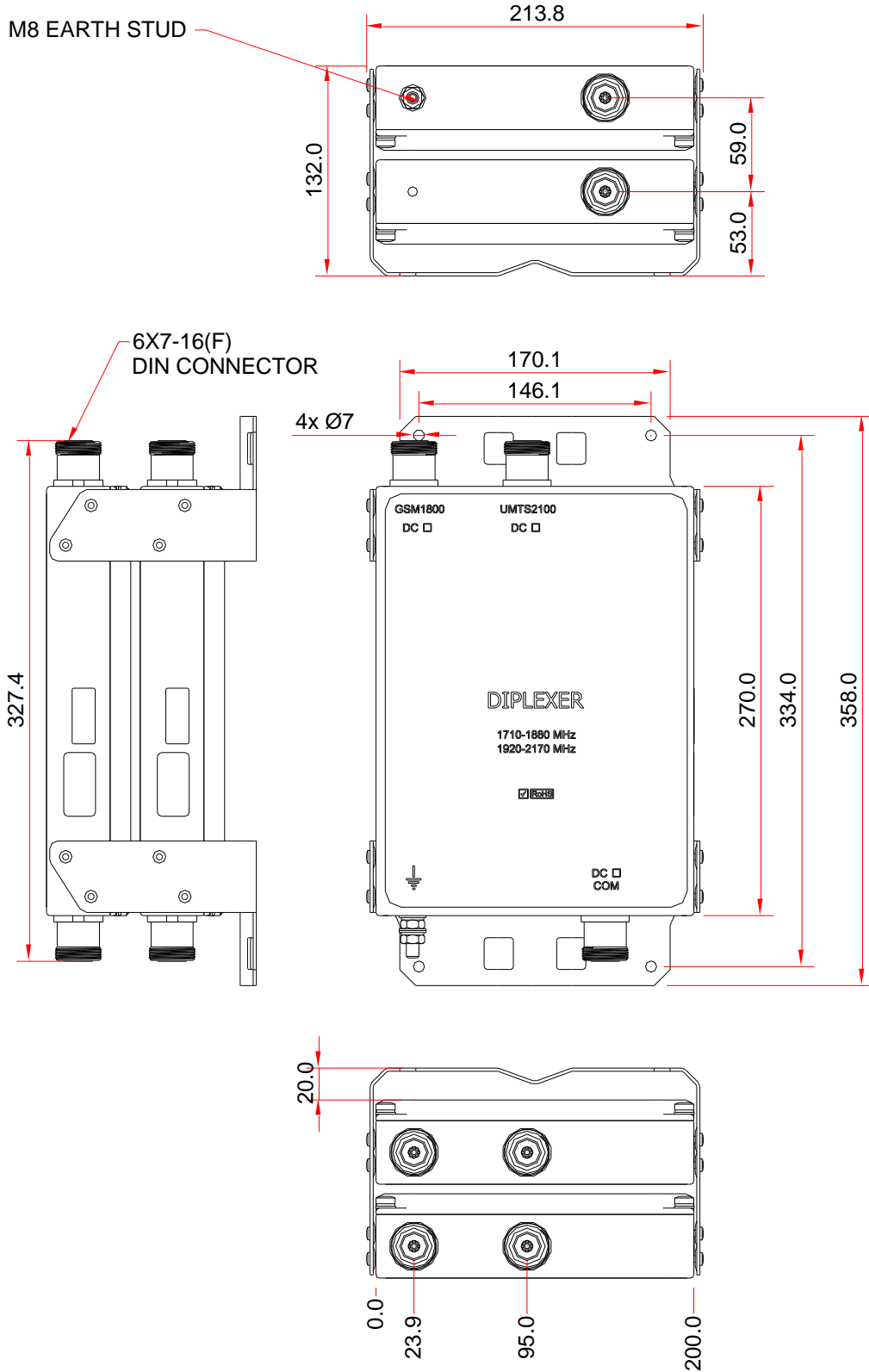
Mechanical DPX-201 (single unit)



DT 5338 - Ed C - page 4/5 - We reserve the rights to modify our products without prior notice.

**DPX-201
DPX-203**

Mechanical DPX-203 (dual unit)



DT 5338 - Ed C - page 5/5 - We reserve the rights to modify our products without prior notice.